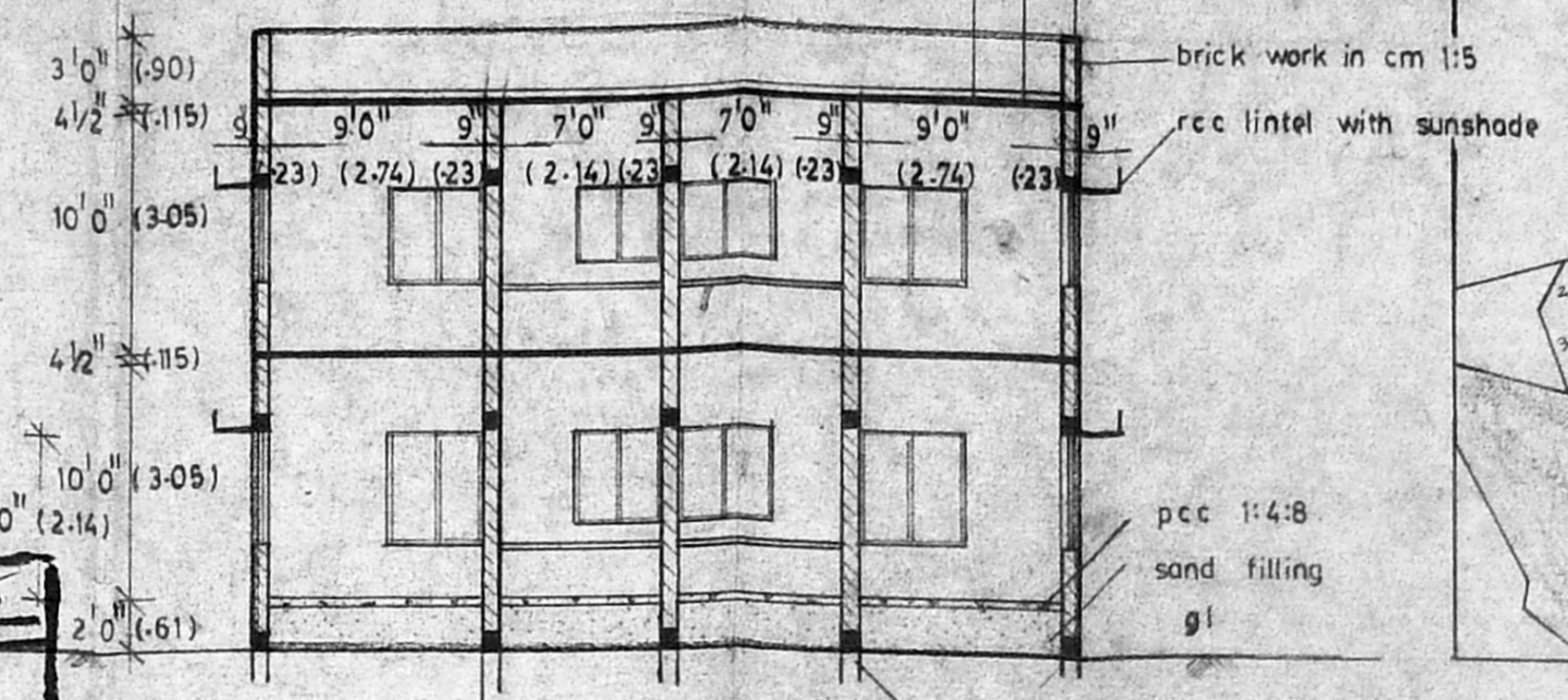
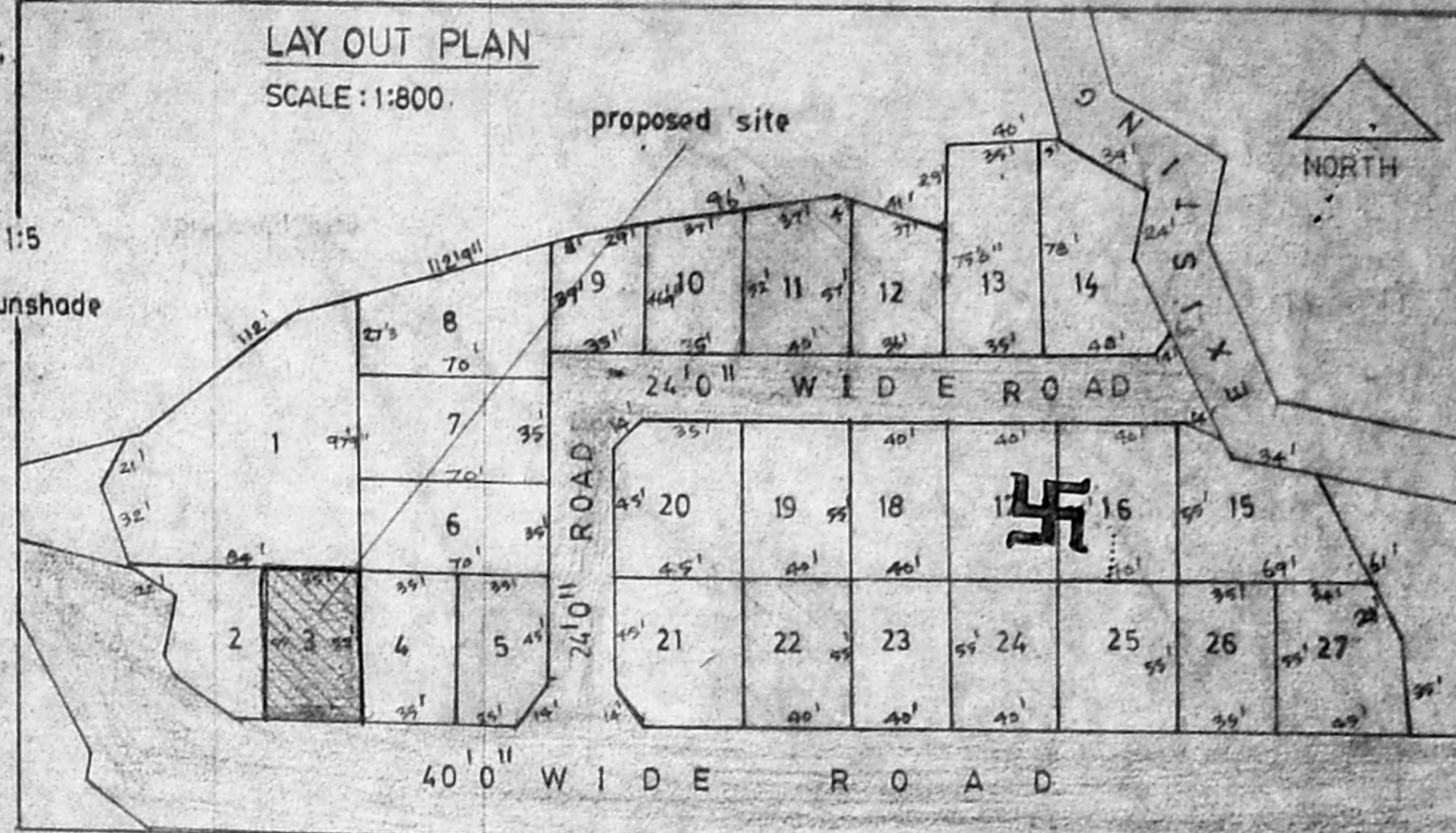


FRONT ELEVATION

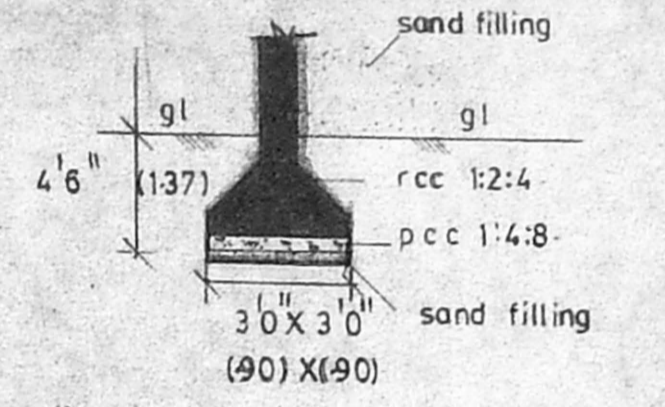
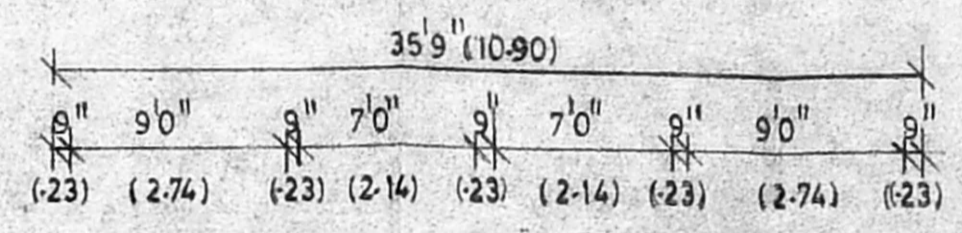
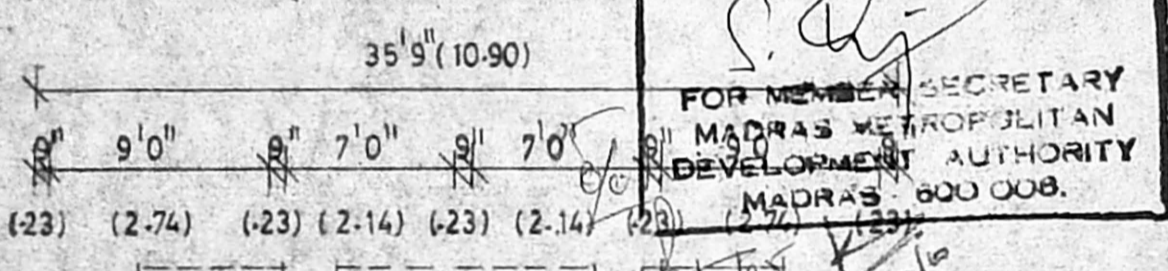


SECTION ON AB



LAY OUT PLAN
SCALE: 1:800

APPROVED
SUBJECT TO THE CONDITIONS IN THIS OFFICE LETTER.
No. A1/23420/95 Dated 20-10-95
FOR MEMBER SECRETARY
MADRAS METROPOLITAN
DEVELOPMENT AUTHORITY
MADRAS 600 008.



TYP FOUR DETAIL

MMD A APPROVED NO : PPD/LO NO: 61/94.
DATED : 9-6-94.
BOUNDARY b
PROPOSAL'S r
ROAD g
EXISTING ROAD y

R.P. Sundar
A1/14752/95
14/12/95

JOINERIES DETAILS

D DOOR	33" x 7'0" (1.00 X 2.14)
D1 DOOR	3'0" x 7'0" (0.91 X 2.14)
D2 DOOR	2'6" x 7'0" (0.76 X 2.14)
W WINDOW	4'0" x 6'0" (1.22 X 1.83)
W1 WINDOW	4'6" x 4'6" (1.37 X 1.37)
W2 WINDOW	4'0" x 3'6" (1.22 X 1.06)
W3 WINDOW	2'6" x 4'6" (0.76 X 1.37)
V VENTILATOR	2'6" x 3'0" (0.76 X 0.90)
FWD FRENCH WINDOW WITH DOOR	6'0" x 7'0" (1.83 X 2.14)

AREA CALCULATION DETAILS

PLOT EXTENT	1925 SFT (179.00 SQM)
GROUND FLOOR PLINTH AREA	831 SFT (77.28 SQM)
FIRST FLOOR PLINTH AREA	896 SFT (83.33 SQM)
VACANT SPACE	1094 SFT (101.74 SQM)

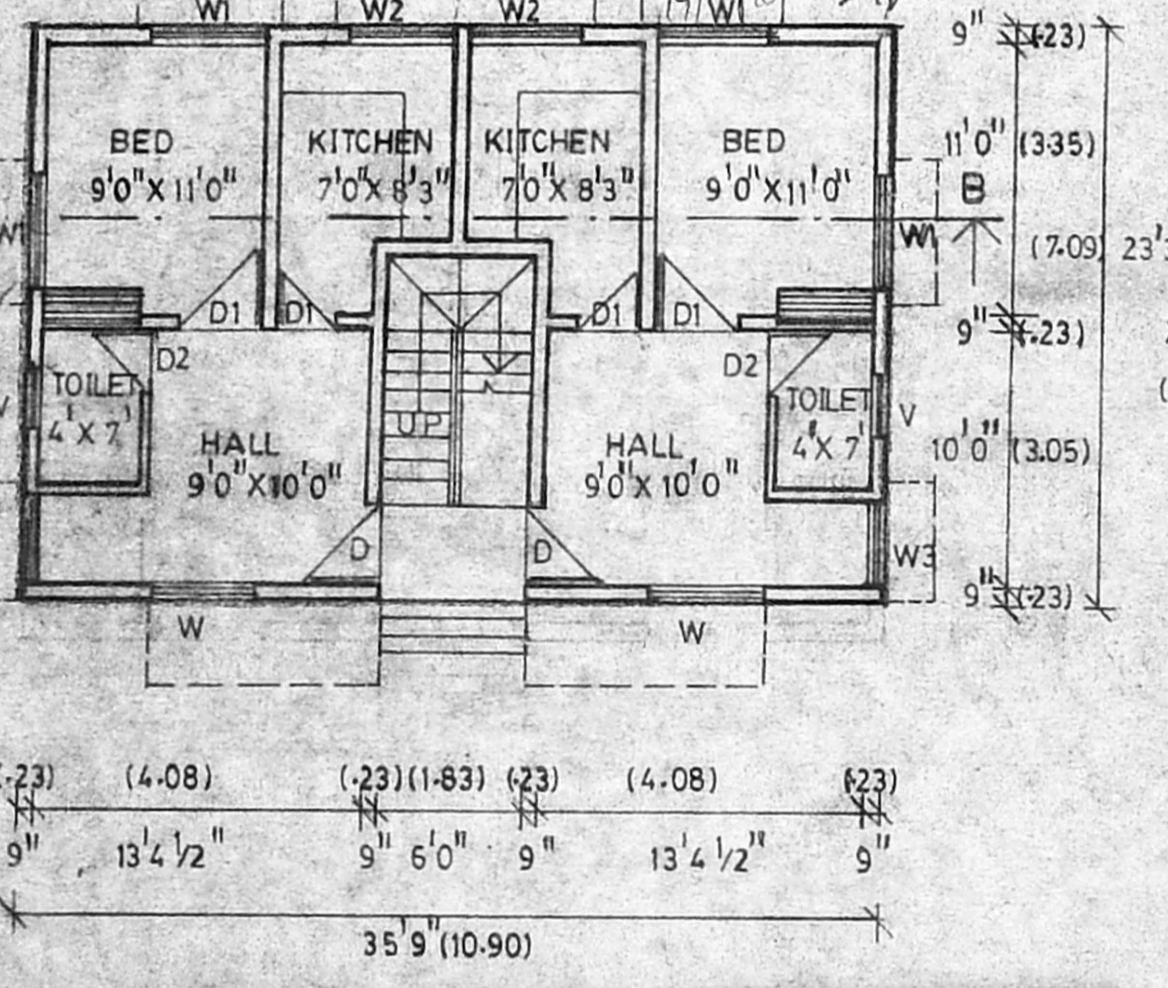
NOTE
all measurements within brackets are in metre.
waste water from kitchen is to be used garden purpose only.

PROPOSED CONSTRUCTION OF RESIDENTIAL FLATS FOR THE CINE TECHNICIANS ASSOCIATION OF SOUTH INDIA, AT PLOT NO:3, IN S.NO 550 OF MANGADU VILLAGE, SRIPERUMBUDUR TALUK, CHENGAI M.G.R DISTRICT.
SCALE: 1:100.

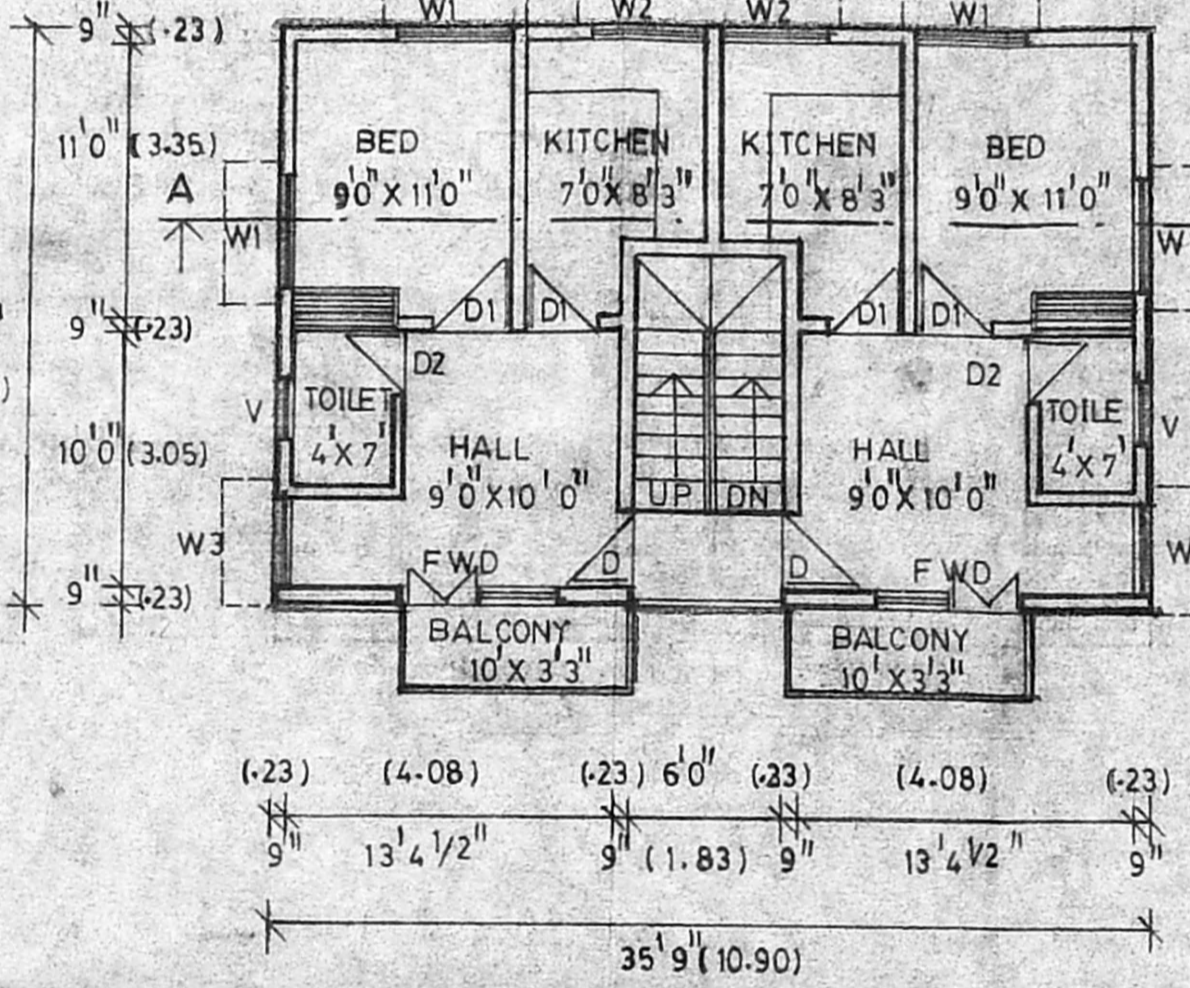
A. Velu
A. VELU
Licensed Surveyor
CORPORATION OF MADRAS NO- 150
28, Muniappan Street,
PERAMBUR, MADRAS-11,
(Near: Perambur Market)

For CINE TECHNICIANS ASSOCIATION OF SOUTH INDIA
[Signature]
President

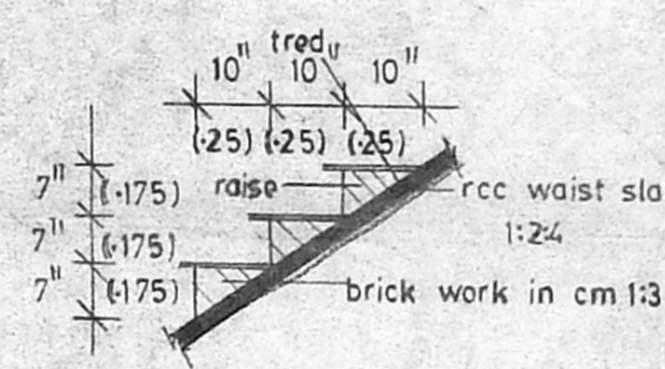
licensed surveyor
applicant



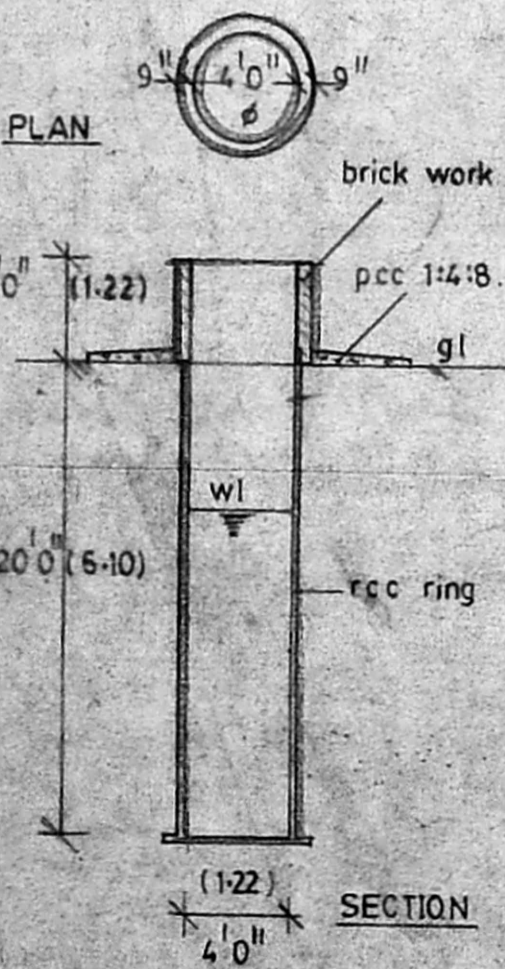
GROUND FLOOR PLAN



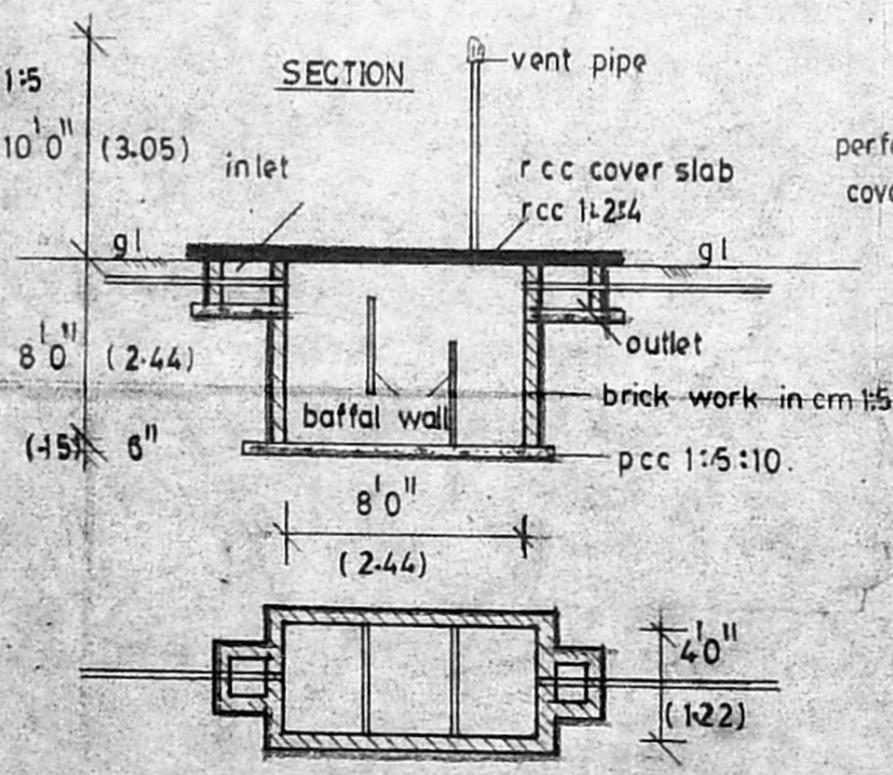
FIRST FLOOR PLAN



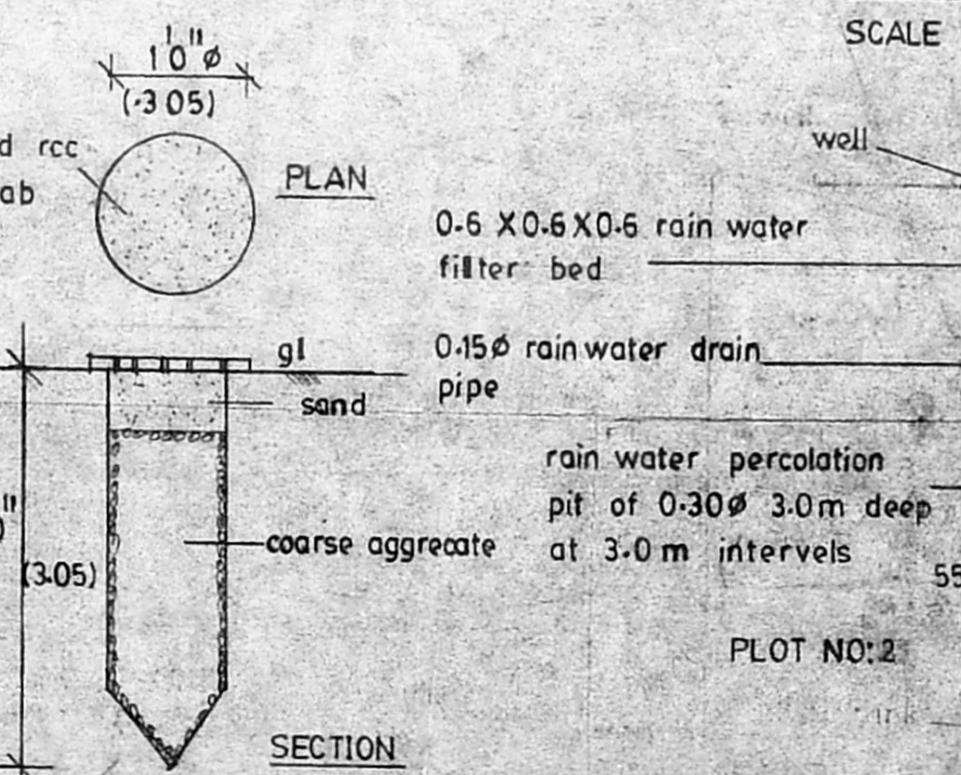
STAIRCASE DETAILS



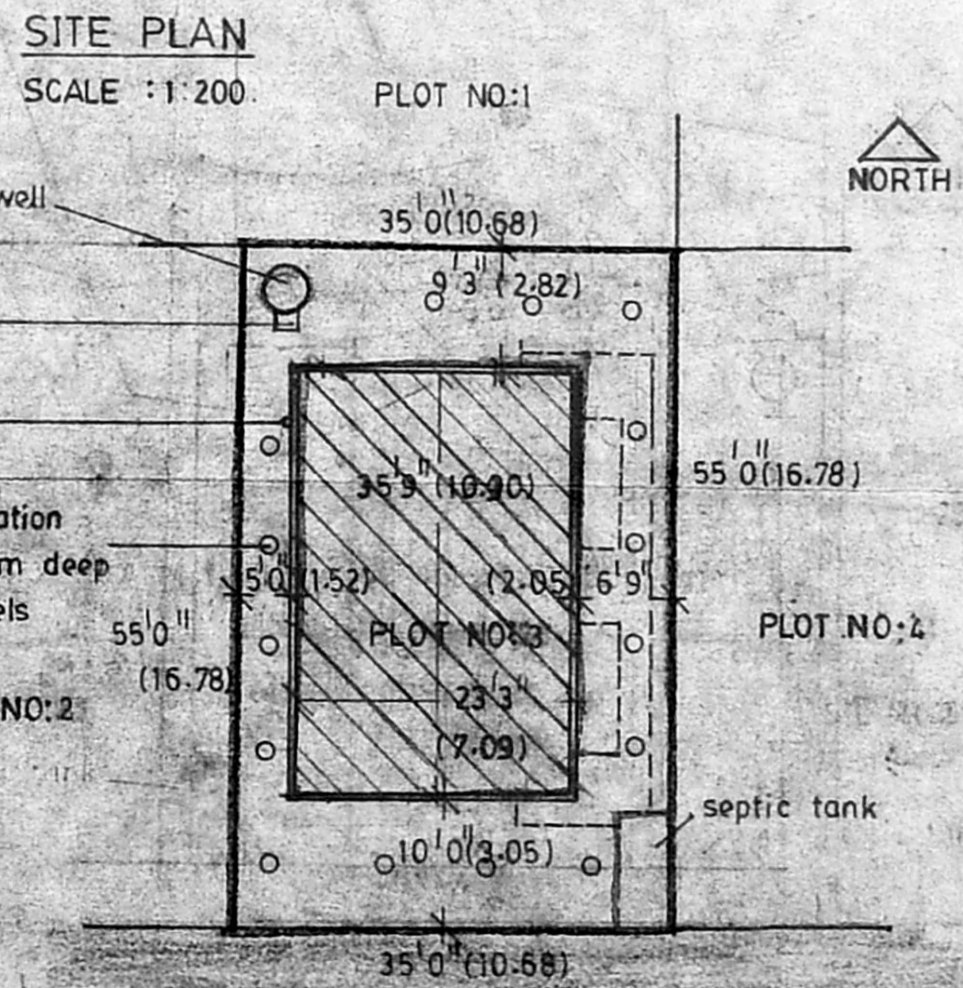
WELL DETAILS



SEPTIC TANK DETAILS



RAIN WATER PERCOLATION DETAILS



SITE PLAN
SCALE: 1:200

PLOT NO:1
PLOT NO:2
PLOT NO:3
PLOT NO:4

0-6 X 0-6 X 0-6 rain water filter bed
0-15 rain water drain pipe
rain water percolation pit of 0-30 x 3-0 m deep at 3-0 m intervals
well
septic tank

40'0" WIDE ROAD